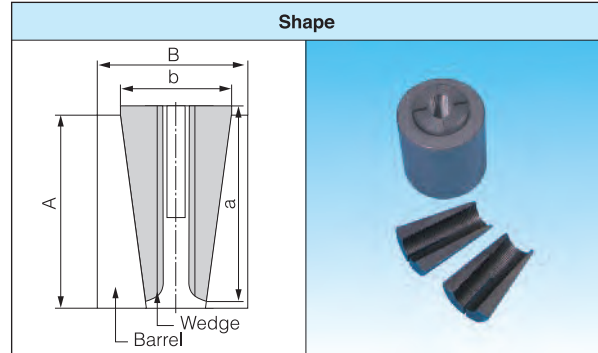


Accessories

Stand (Bare)

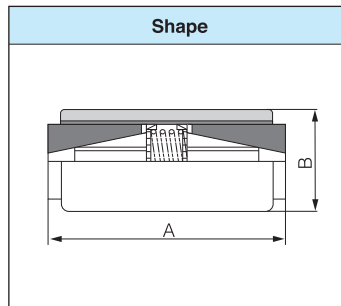
Grip For Post-tensioning (one-time use)

Stand Dia. mm	Barrel		Wedge		Unit Weight g
	A mm	B mm	a mm	b mm	
12.4	43	40	40	26	370
12.7	43	40	40	26	370
15.2	48	45	45	31	530
17.8	60	50	58	36	790
19.3	65	55	65	39	1,050
(20.3)	70	60	68	42	1,340
21.8	75	65	75	45	1,720
28.6	90	80	90	55	3,120



Coupler (One-time use)

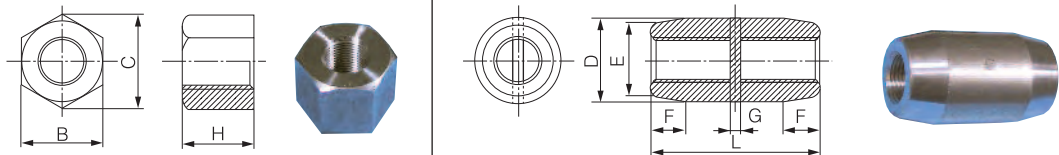
Stand Dia. mm	A mm	B mm	Unit Weight g
12.4	130.0	55.0	1,800
12.7	130.0	55.0	1,800
15.2	140.0	60.0	2,300
17.8	170.0	70.0	3,700
19.3	180.0	75.0	4,600
(20.3)	190.0	80.0	6,300
21.8	200.0	85.0	6,700



Round Bar

Bar Dia. mm		Nut				Coupler					
		B mm	C mm	H mm	Unit Weight (g)	D mm	L mm	F mm	E mm	G mm	Unit Weight (g)
9.2	M10×1.25	19	21.9	15	30	19	35	8	16	2.3	55
11	M12×1.5	23	29.6	18	50	22	40	9	19	2.6	90
13	M14×1.5	26	30.0	21	75	26	50	10	22	3.2	145
17	M18×1.5	35	40.4	27	175	34	60	13	29	4.0	290
19	M20×1.5	38	43.9	30	250	38	70	15	32	4.5	470
21	M22×2.0	41	47.3	33	340	42	75	16	35	5.0	610
23	M24×2.0	46	53.1	36	400	46	80	18	39	5.5	720
26	M27×2.0	50	57.7	40	515	50	90	20	42	6.0	920
32	M33×2.0	58	67.0	49	815	60	110	25	52	6.0	1,610
36	M38×3.0	65	75.0	60	1,200	67	120	25	53	6.0	1,900

Shape



Threaded Bar

Bar Dia. mm	Hex Nut					Coupler					Domed Nut					Anchor Plate				
	B mm	C mm	H mm	Unit Weight (g)		ø mm	L mm	E mm	F mm	Unit Weight (g)	B mm	C mm	H mm	ø mm	Unit Weight (g)	S mm	t mm	ø mm	ø' mm	Unit Weight (g)
23	46	53.1	55	600		46	120	40	40	1,000	46	53.1	55	32	500	120	25	32	55	2,600
26	50	57.7	60	700		50	140	42	50	1,100	50	57.7	60	35	600	135	28	35	61	3,700
32	58	67.0	70	1,100		60	170	46	62.5	1,900	58	67.0	70	42	1,000	165	32	42	74	6,400
36	65	75.0	95	1,900		67	220	55	70	2,600	65	75.0	95	47	1,800	185	38	46	84	9,500

Shape

